

Power breakers LoB

PTMET LoB

Sales/Marketing

07/05/2015

New open toroid TOA Vigilohm - Vigirex range

New

open toroid TOA80 & TOA120



Old

open toroid POA & GOA



replaces

	TOA80	TOA120	POA	GOA
Dimensions	80mm	120mm	46mm	110mm
Part Number	50420	50421	50485	50486

Objectives

- Old open toroid OA Vigirex range will be substituted by a new one and stopped for the commercialization after end of the stock.
- New open toroid TOA will be available for the commercialization in June 2015 and will be *100% compatible* with the Vigilohm and Vigirex ranges

Description

I) Old open toroids POA and GOA are replaced

From 15th of June, commercialisation old open toroid will be stopped. It will be possible to order it after this date only if the stock is existing and until end of this stock.

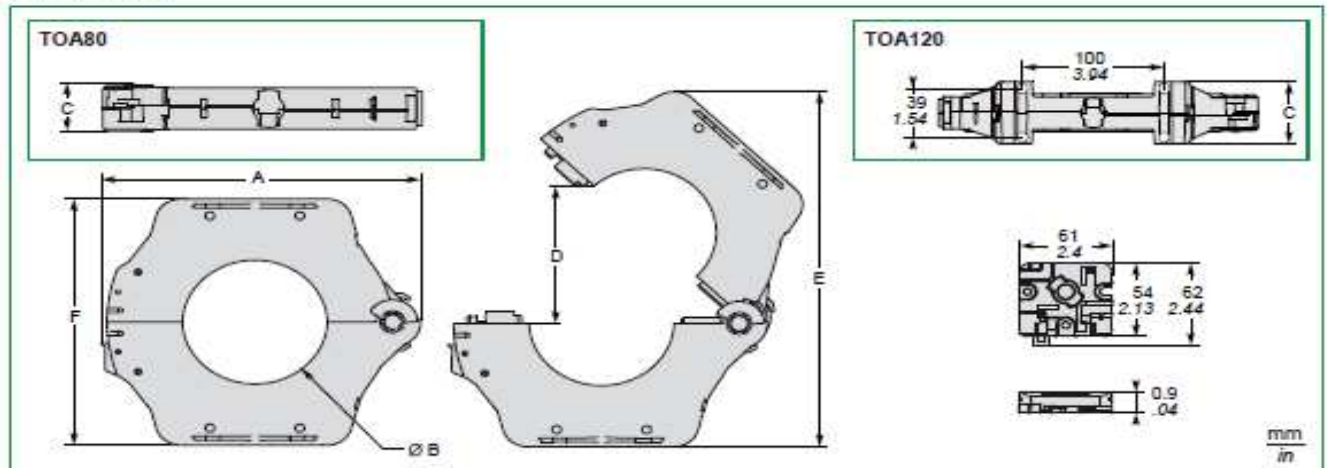
II) New open toroids TOA80 and TOA120 availability

From 15st of June 2015, it will be possible to order new open toroid.

What is going to change with this new open toroid?

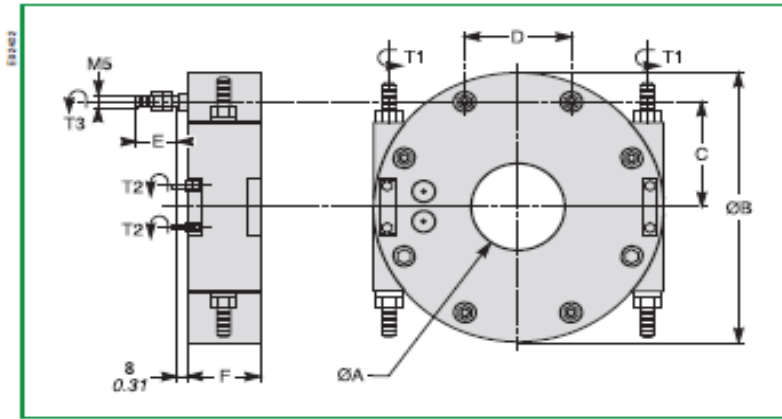
- 2 different diameters (80 and 120mm) instead of 46 and 110mm
- Depth is lower than the old ones
- Weight is divided by more than 50%
- Products will be delivered with a Din rail kit and it will be possible also to mount directly the toroid on a mounting plate (through the din rail kit for TOA80).
- Opening and closing is very easy thanks to the trigger.

TOA80 - TOA120



Type / Type / Gerätearten / Tipo / Tipo / 型号	A		Ø B		C		D		E		F		Masse / Weight / Gewicht / Peso / Masa / 重量	
	mm	inch	mm	inch	mm	inch	mm	inch	mm	inch	mm	inch	kg	Lb
TOA80	177	6.97	80	3.15	28	1.11	108	4.26	235	9.26	156	6.14	0.900	1.99
TOA120	225	8.86	120	4.73	50	1.97	150	5.91	303	11.93	205	8.07	1.500	3.31

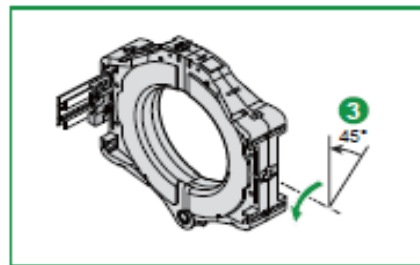
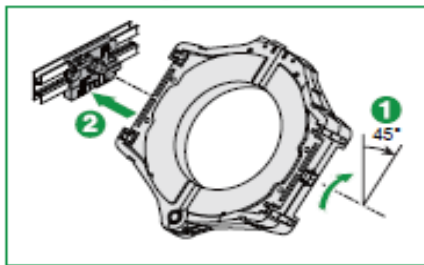
POA - GOA



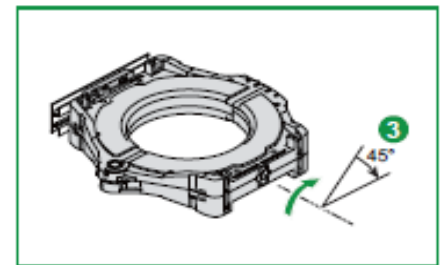
Type/Type / Gerätype / Tipo/Tipo	Dimensions / Dimensions / Abmessungen / Ingombro / Dimensiones						Couples de serrage / Tightening torque / Anzugsdrehmoment / Coppia di serraggio / Par de apriete						Masse / Weight / Gewicht / Peso / Masa							
	Ø A		Ø B		C		D		E		F		T1		T2		T3		kg	Lb
	mm	inch	mm	inch	mm	inch	mm	inch	mm	inch	mm	inch	mdaN	lb.in	mdaN	lb.in	mdaN	lb.in		
POA	46	1.81	148	5.83	57	2.24	57	2.24	22	.87	38	1.50	7	0.79	3	0.34	3	0.34	1,300	2,86
GOA	110	4.33	224	8.82	92	3.62	76	2.99	16	.63	44	1.73	7	0.79	3	0.34	3	0.34	3,200	7,04

TOA80 - TOA120

Sur rail DIN / On symmetrical DIN rail / Auf DIN-Schiene / Su guida DIN / Sobre carril DIN / 在对称的DIN导轨上



Vertical / Vertical / Vertikal / Verticale / Vertical / 垂直螺旋线圈



Horizontal / Horizontal / Horizontal / Orizzontale / Horizontal / 水平螺旋线圈

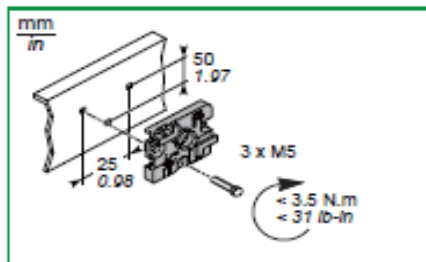
TOA80 - TOA120

Sur panneau ou sur ferrure (vis non fournies) / On panel or rail (screws not supplied) /

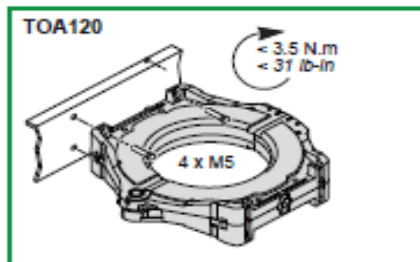
Auf Tafel oder auf Eisenbeschlag (Schrauben nicht im Lieferumfang) /

Su pannello o su supporto in ferro (viti escluse dalla fornitura) /

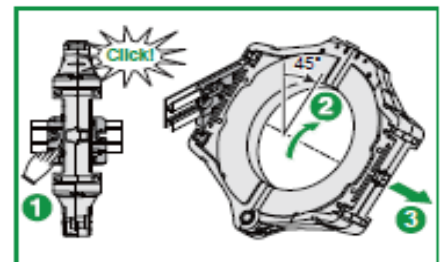
Para montar en panel o herraje (tornillos no incluidos) / 安装于面板或导轨上 (未提供螺钉)



Montage de l'accessoire de fixation / Mounting of fastener accessory / Montage des Befestigungsteils / Montaggio dell'accessorio di fissaggio / Montaje del accesorio de sujeción / 安装紧固件配件



Montage direct du TOA120 / Direct mounting of TOA120 / Direkte Montage von TOA120 / Montaggio diretto del TOA120 / Montaje directo de TOA120 / 直接安装 TOA120



Démontage / Disassembly / Demontage / Disassemblaggio / Desmontaje / 拆解

Electrical characteristics

The new closed toroids have the same characteristics as the old ones

Impact on tools for new accessory

Vigirex and Vigilohtm Instruction leaflet have been modified and diffused.
All softwares have been updated (Store 3, Quick ref)



Marketing offer manager

 Jean-Michel DEVESNE

Phone: +33 4 76 39 89 53
+33 6 07 29 94 92

-mail: jean-michel.devesne@schneider-electric.com