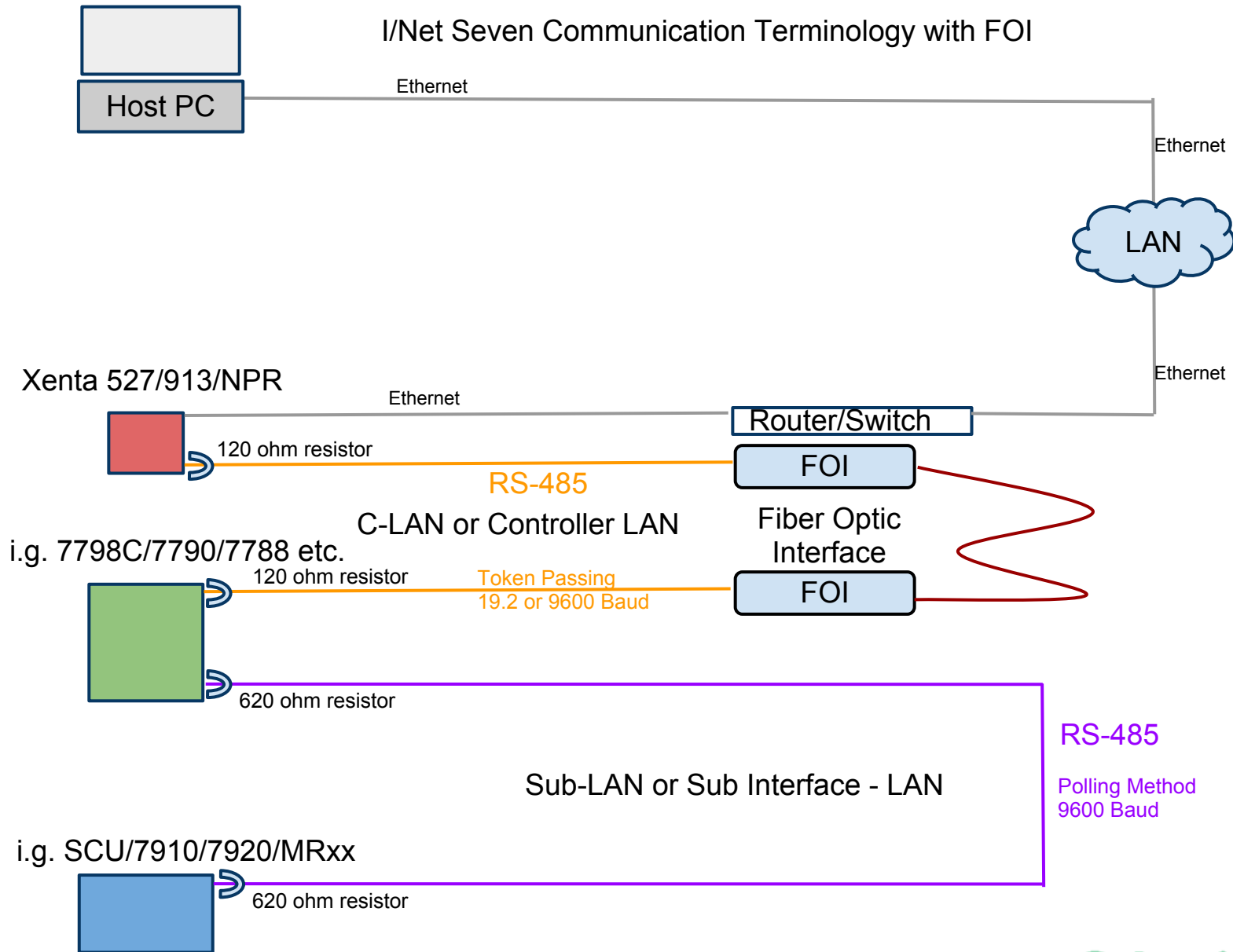


I/Net Seven Communication Terminology with FOI



The FOI has the termination resistor built in.