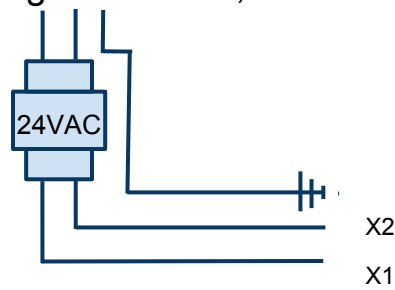
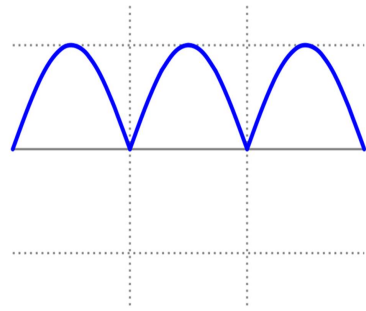


Power coming in 110VAC, 240VAC

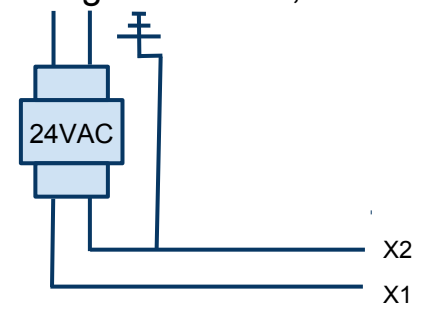


Full Wave



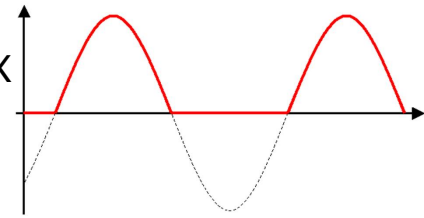
- Devices:
- 7718
  - 7716
  - 7728
  - 7756
  - 7798B
  - 7798B1
  - 7798C
  - 7790A (7793)
  - 7910, 7920, 7930, 7940
  - 7780
  - SCU 1200, 1280, 1284

Power coming in 110VAC, 240VAC



Half Wave

- Devices:
- MR-88, 88R, 632, 55, 55X
  - MR-AHU ASC
  - MR-HP ASC
  - MR-FC ASC
  - Xenta 913
  - Xenta 527
  - Xenta 527 Web
  - PWMV Transducer
  - PWMC Transducer



If a device is Half Wave, and is wired with the Full Wave configuration, the board will smoke and burn the Voltage Regulator or the Transorb on the circuit board. The Schneider Electric Service Department can test the device to see if repairable or if a new device is required.