



# SSO600/STO600

## Outside Sensors (Sun, Temperature)

These sensors are for use with Satchwell controllers to provide relevant temperature influence on the heating and air conditioning plant, in accordance with prevailing weather conditions. The SSO solar sensors have particular advantages to combat the specific effect of solar heat gain. Their application is a true benefit to modern glass/translucent buildings where solar gain is a negative influence on comfort and occupant efficiency. Energy savings will be realised by allowing for solar contributions. All these sensors can be used in conjunction with Satchwell controllers to influence set points, for monitoring or for direct override of plant schedules. The IP 65 rated designs are durable, reliable and accurate.

These sensors are available with the standard 'Satchwell' temperature sensor output characteristic.

### FEATURES

- Very fast response to temperature change.
- Head design has easily removable, lid (SSO designs have clear lid).
- Fully backwards compatible.
- Small physical size.
- Simple wiring connections.
- Simple commissioning.
- IP 65 as standard.

# SPECIFICATION

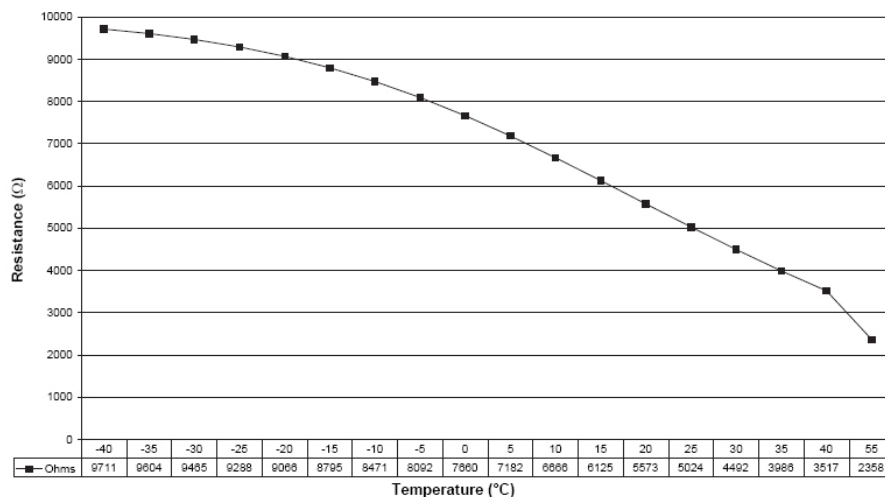
Control Function	STO600: Outside Temperature SSO600: Solar Gain Effect
Resistance at 20°C	5573Ω
Temperature Sensing Range	-40 to 55°C
Compatible Controllers	BAS, CSC, CSMC, IAC, KMC, MMC, Satchwell MicroNet, Satchwell Σ (Sigma).
Protection Class	IP 65
Sensing Element	Negative Temperature Coefficient thermistor
Max Sensing Temperature	55°C
Min Sensing Temperature	-40°C
Wiring	2-wire non-polarised low voltage dc (Safety Extra Low Voltage (SELV)).
Ambient Temperature Limits - at Head	-40 to 55°C
Max Temperature in Storage/Transit	55°C
Min Temperature in Storage/Transit	-40°C
Max Humidity in Operation	95% RH
Min Humidity in Operation	0% RH
Max Humidity in Storage/Transit	95% RH
Min Humidity in Storage/Transit	0% RH
Head	Moulded base with screw on lid.
Head Material	Nylon 6/Nylon 66 Copolymer. SSO600 has a clear Polycarbonate lid.
Head Colour	White. SSO600 has a clear lid.
Terminals	Terminal block accepts 2 × 1 mm <sup>2</sup> wires, larger sizes not recommended.
Accessories	None
Characteristics	Non linear

Part Number	Order Code
SSO600	5126050000
STO600	5126060000

## CHARACTERISTICS

### Sensor Temperature v Resistance

SSO600: -40 to +55°C  
STO600: -40 to +55°C



# WIRING DIAGRAMS

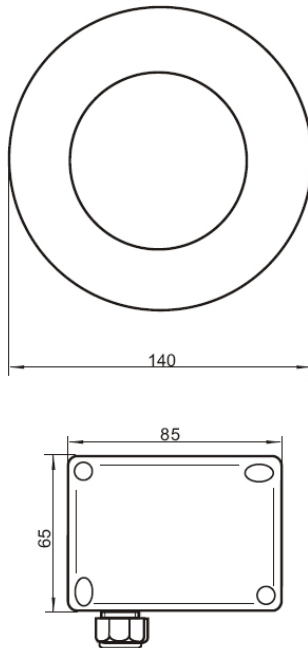
## Wiring Precautions

Refer to the datasheet relevant to the controller to which sensor is to be connected (see table on page 2).

Maximum resistance, 15Ω per core.

## Dimension Drawings

SSO600, STO600



### Cautions

- Do not apply power to the system until it has been checked by a qualified technician and the commissioning procedures have been completed.
- If any equipment covers have to be removed during the installation of this equipment, ensure that they are refitted after installation to comply with UL and CE safety requirements.
- These sensors must only be used in conjunction with the appropriate TAC Satchwell controllers shown on Page 2.
- Observe wiring precautions given on the data sheet for the controller that the sensor will be connected to.
- Do not exceed the maximum ambient temperature.
- Interference with parts under sealed covers invalidates guarantee.
- Design and performance of TAC Satchwell equipment is subject to improvement and therefore liable to alteration without notice.
- Information is given for guidance only and TAC Satchwell does not accept responsibility for the selection and installation of its products unless information has been given to the Company in writing relating to a specific application.
- A periodic system and tuning check of the control system is recommended. Please contact your local sales office for details.

Copyright © 2007, TAC  
All brand names, trademarks and registered trademarks are the property of their respective owners. Information contained within this document is subject to change without notice. All rights reserved.

PART NUMBER 03-00113-01-en



Europe / Headquarters  
Malmö, Sweden  
+46 40 38 68 50

Americas  
Dallas, TX  
+1 972-323-1111

Asia-Pacific  
Sydney, Australia  
+61 (0) 2 8336 6100

[www.tac.com](http://www.tac.com)

